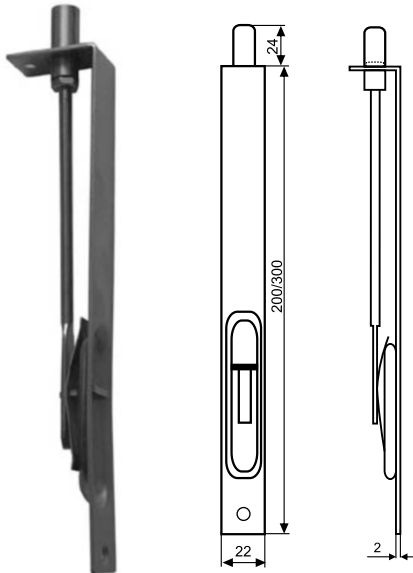
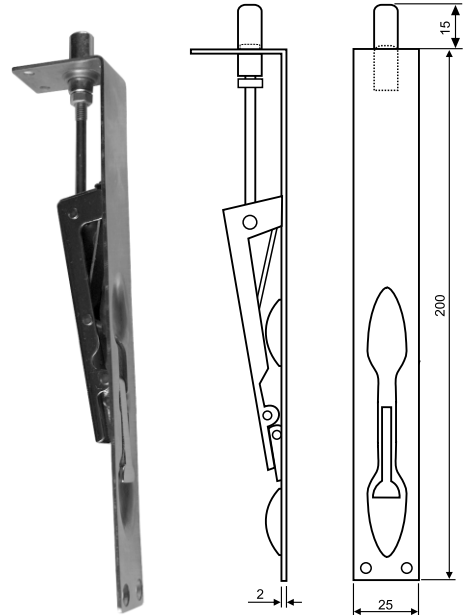


INOX

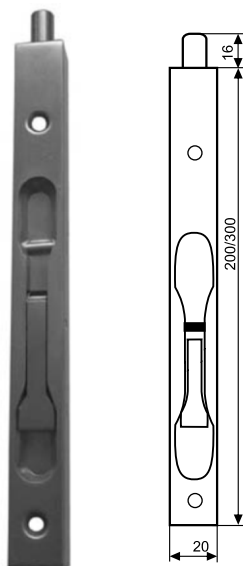


In 504

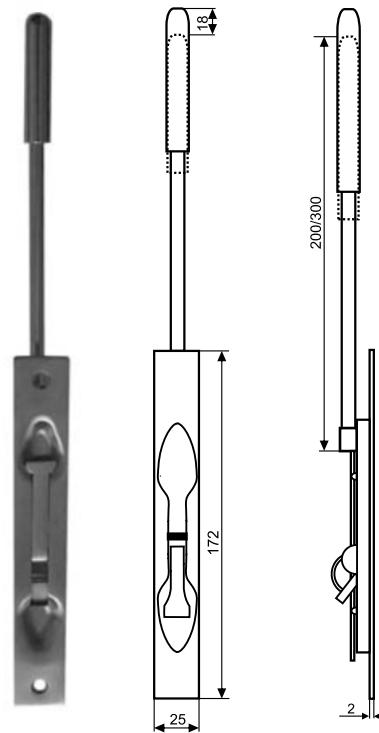


In 30/200

**In 35/200
In 35/300**



**In 31/200
In 31/300**



**In 36/200
In 36/300**